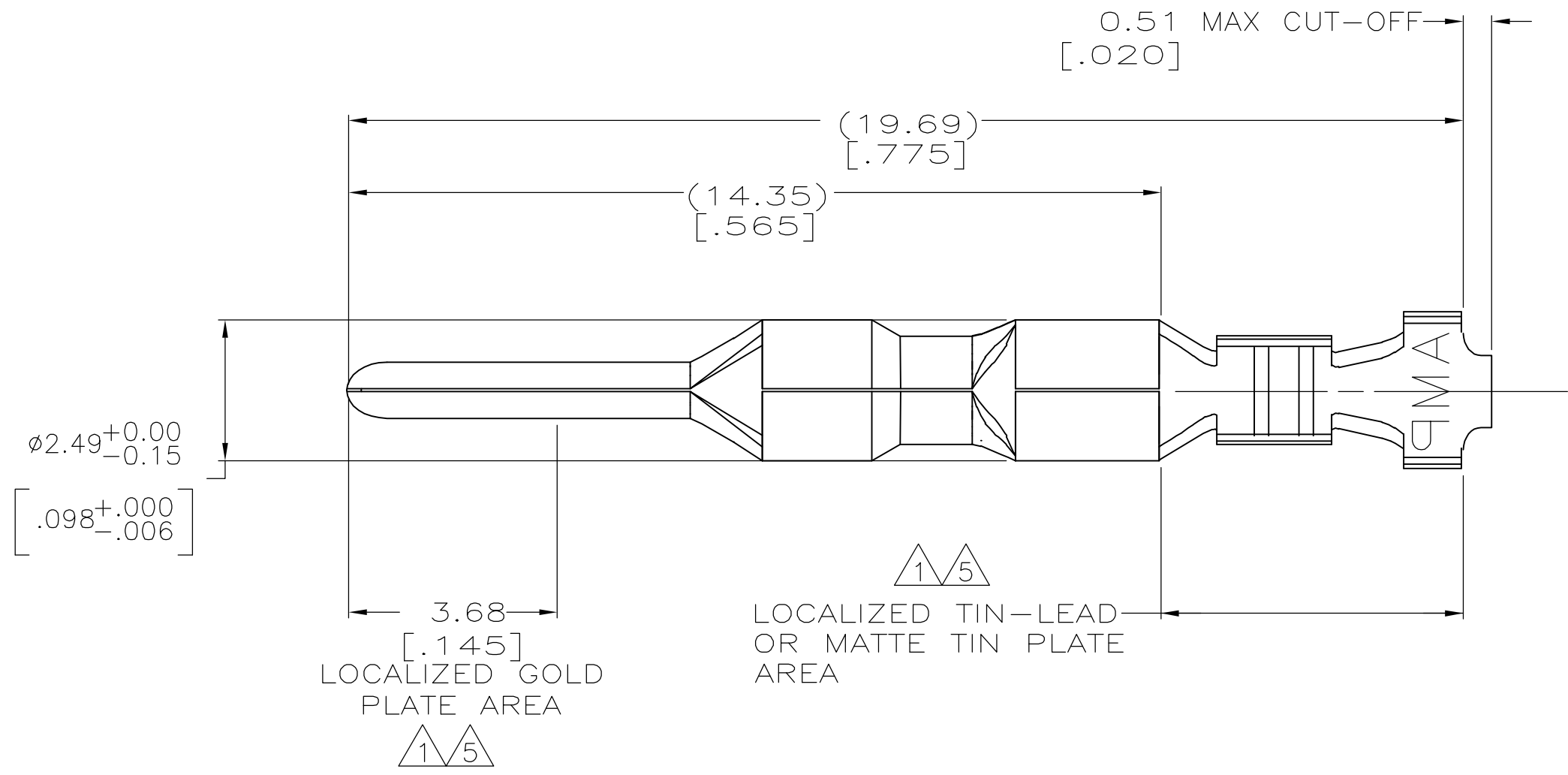
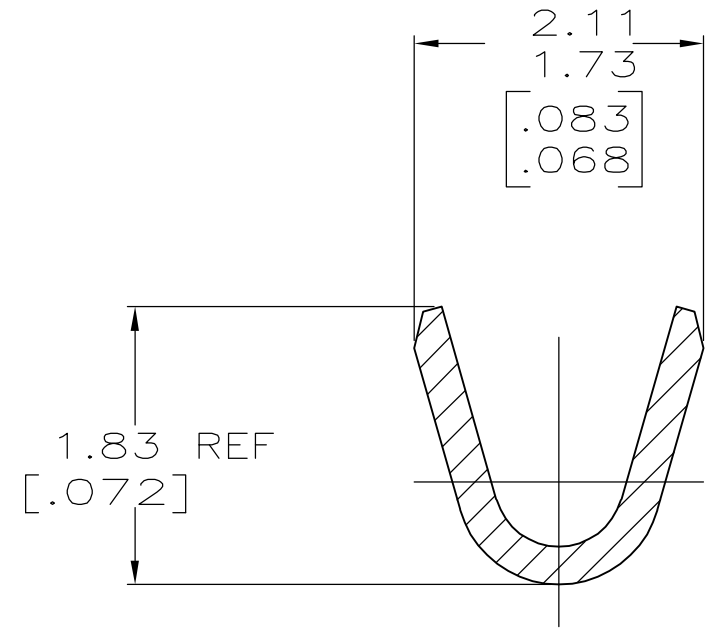
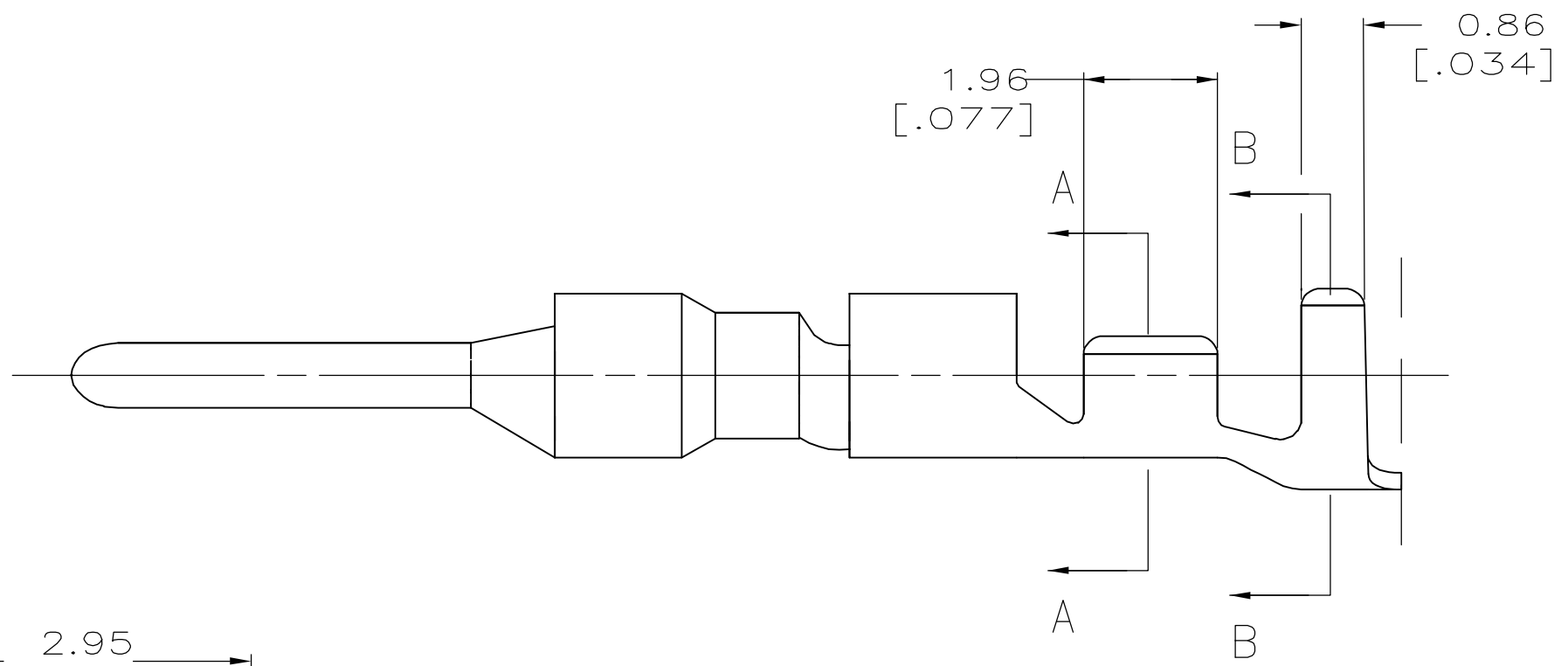


THIS DRAWING IS UNPUBLISHED. RELEASED FOR PUBLICATION
 © COPYRIGHT BY TYCO ELECTRONICS CORPORATION. ALL RIGHTS RESERVED.

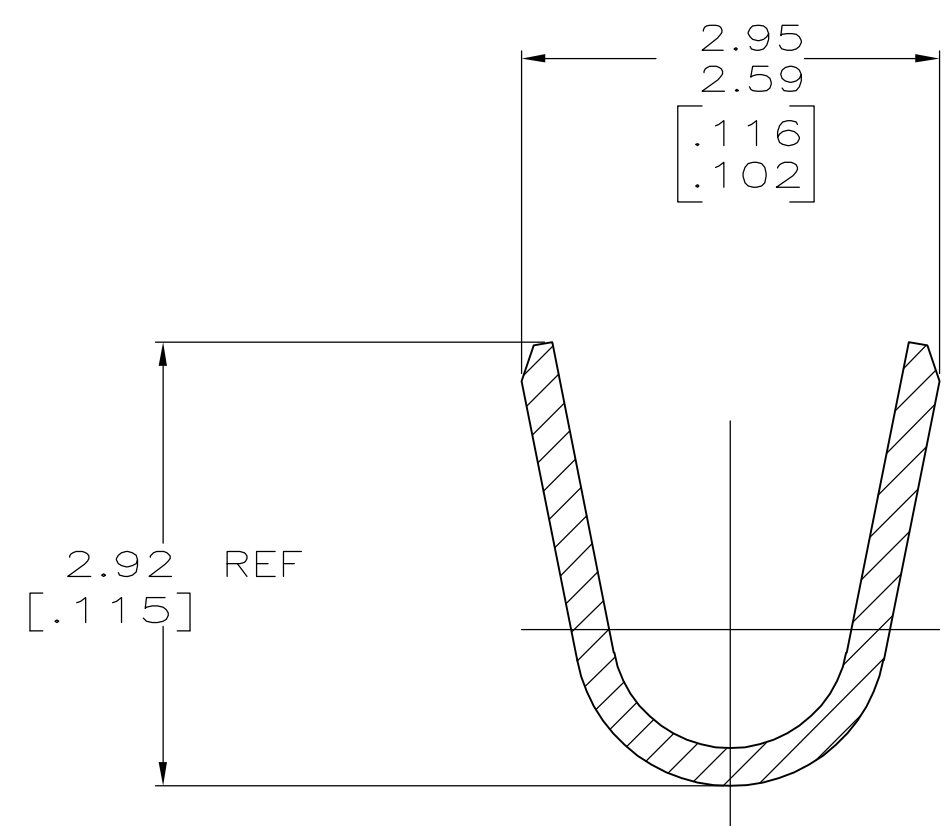
| LOC | | DIST | | REVISIONS | | | |
|-----|-----|--------------------------|---------|-----------|------|--|--|
| P | LTR | DESCRIPTION | DATE | DWN | APVD | | |
| CM | 0 | | | | | | |
| | D | REVISED PER 0G3B-0237-05 | 9/21/05 | SS | CJ | | |



- 1. 0.00076 [.000030] MIN GOLD IN LOCALIZED GOLD PLATE AREA AND 0.00254 [.000100] MIN BRIGHT TIN-LEAD IN LOCALIZED TIN-LEAD PLATE AREA OVER 0.0013 [.000050] MIN NICKEL.
- 2. WIRE RANGE: 0.12 - 0.4MM² (26-22 AWG).
- 3. INSULATION RANGE: 1.19-1.75 [.047-.069] DIA.
- 4. DIMENSIONS IN BRACKETS ARE IN INCHES.
- 5. 0.00076 [.000030] MIN GOLD IN LOCALIZED GOLD PLATE AREA AND 0.00254 [.000100] MIN MATTE TIN IN LOCALIZED TIN PLATE AREA OVER 0.0013 [.000050] MIN NICKEL.



SECTION A-A
SCALE 20:1



SECTION B-B
SCALE 20:1

| | | |
|---------|-------------------|-------------|
| 5 | 0.25 [.010] BRASS | 1-794226-0 |
| 1 | 0.25 [.010] BRASS | 794226-3 |
| PRE-TIN | 0.25 [.010] BRASS | 794226-1 |
| FINISH | MATERIAL | PART NUMBER |

| | | | | |
|--|--|-----------------------------|---|------------------------|
| THIS DRAWING IS A CONTROLLED DOCUMENT. | | DWN R. VESTAL 1-15-97 | Tyco Electronics Corporation Harrisburg, PA 17105-3608 | |
| DIMENSIONS: mm [INCHES] | | CHK R. SWING 1-15-97 | | |
| TOLERANCES UNLESS OTHERWISE SPECIFIED: | | APVD - | NAME PIN, LOOSE PIECE, MINI UNIVERSAL MATE-N-LOK 2 | |
| 0 PLC ± - | | PRODUCT SPEC - | SIZE A2 | |
| 1 PLC ± - | | APPLICATION SPEC - | CAGE CODE 00779 | DRAWING NO C=794226 |
| 2 PLC ± - | | WEIGHT - | RESTRICTED TO - | REV D |
| 3 PLC ± 0.15 [.006] | | CUSTOMER DRAWING | SCALE 10:1 | SHEET 1 of 1 |
| 4 PLC ± - | | | | |
| ANGLES ± - | | | | |
| FINISH SEE TABLE | | | | |